

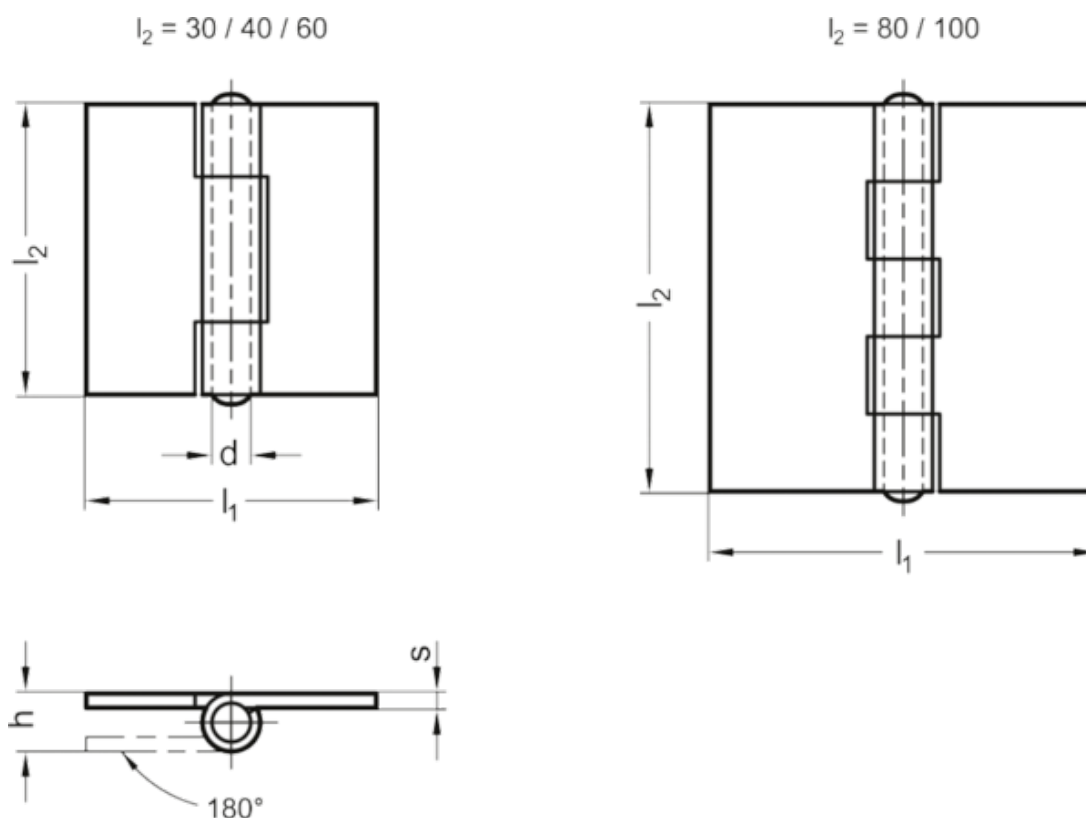
Data Sheet



Article number: 201362NI6060ABL

Description: E+G Hinge for welding GN 1362-NI-60-60-A-BL
Stainless steel AISI 304

Measures



d	= 6
h	= 12
l_1	= 60
l_2	= 60
s	= 3
Weight in (g)	= 90